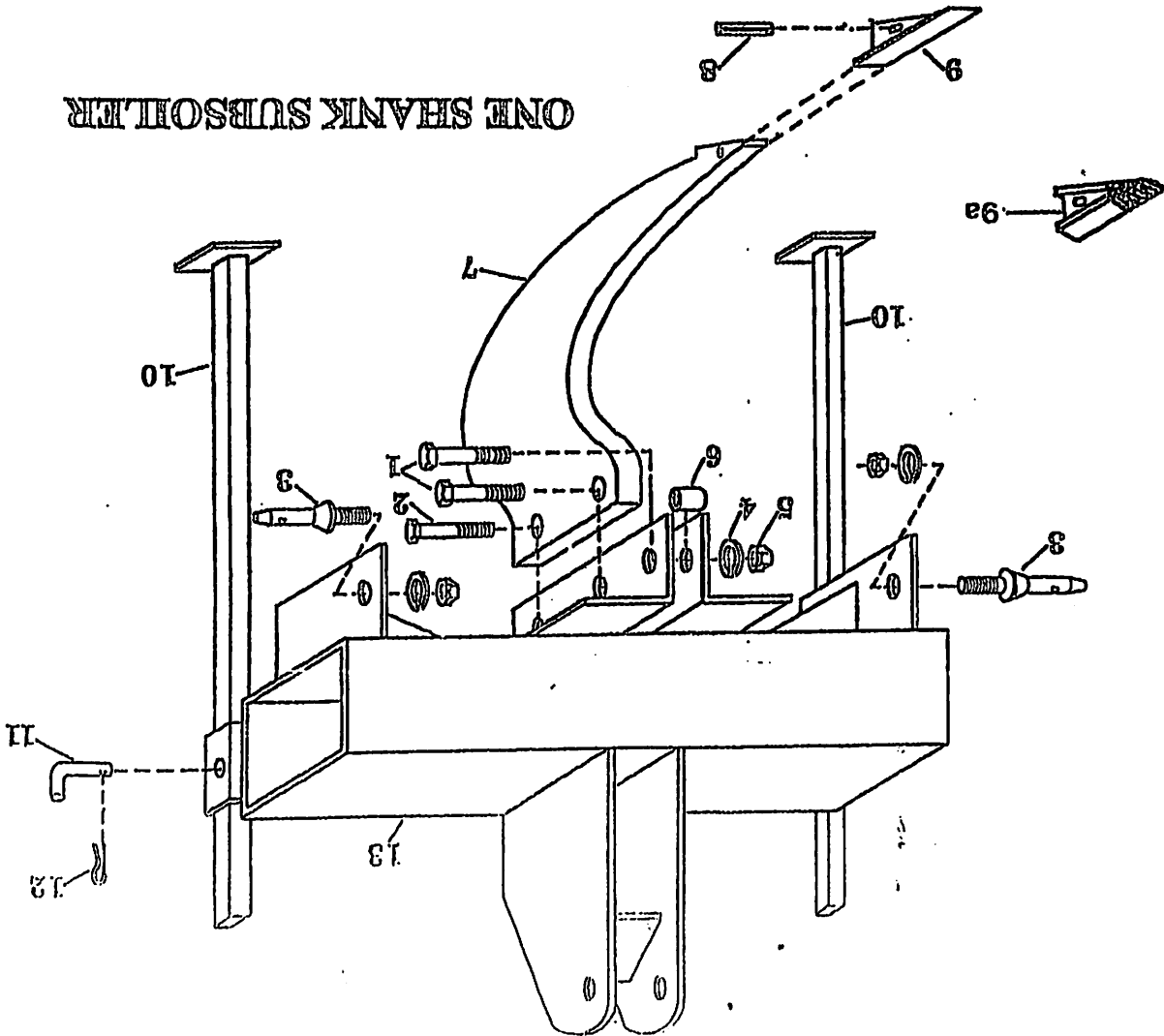


NS-NOT SHOWN
 ALL UNITS WITH A SERIAL # GREATER THAN #21270 WILL USE PART NUMBER
 MT13454. PART NUMBER VP35M WILL FIT ALL SHANKS PRIOR TO THIS DATE.

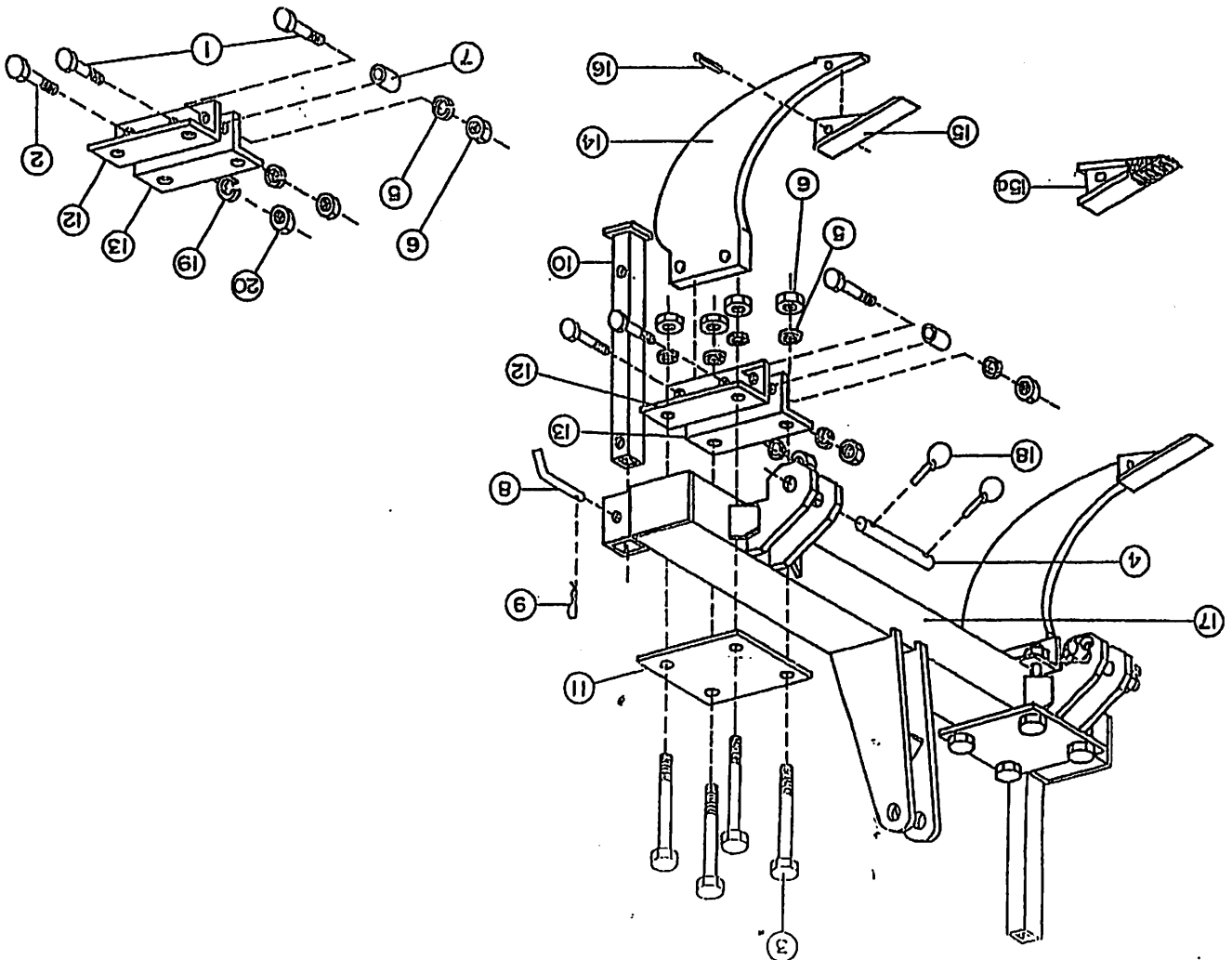
REF. NO.	PART #	DESCRIPTION
1	12870	12870 SHEAR BOLT, 3/4" X 4", GR. 2
2	T-771	T-771 PIVOT BOLT, 7/8" X 4", GR. 5
3	T-33	T-33 HITCH PIN, 7" UNF CAT. 1 W/ NUT & WASHER
4	T-31	T-31 LOCK WASHER, 3/4"
5	T-27	T-27 HEX NUT, 3/4"
6	10535	10535 SPACER, 3/4" X 1 1/2"
7	VP24	VP24 SHANK, 24" X 1 1/2" OR
	VP28	VP28 SHANK, 28" X 1 1/2"
8	VP25	VP25 ROLL PIN, 7/16" X 2"
9	MT13454	MT13454 POINT, 1 1/2"
9A	VP35M	VP35M V PLOW POINT MODIFIED
10	11037	11037 PARKING STAND, 1 1/2" SQ. X 31 3/4"
11	9690	9690 PARKING STAND PIN, 5/8" X 3 1/2"
12	10015	10015 3/16" HAIR PIN COTTER
13	11152	11152 TOOL BAR & HITCH
NS	T-21	T-21 LOCK WASHER, 7/8"
NS	T-19	T-19 HEX NUT, 7/8"



ALL UNITS WITH A SERIAL # GREATER THAN #21270 WILL USE PART NUMBER MT13454. PART NUMBER VP35M WILL FIT ALL SHANKS PRIOR TO THIS DATE.

REF. NO.	PART #	DESCRIPTION
1	12870	HEX BOLT, 3/8" X 4", GR. 2
2	T-771	HEX BOLT, 7/8" X 4", GR. 5
3	11032	HEX BOLT, 3/4" X 8", GR. 5
4	11167	HITCH PIN, CATEGORY II, 5"
5	T-31	LOCK WASHER, 3/4"
6	T-27	HEX NUT, 3/4"
7	10535	SPACER, 3/4" X 1 1/2"
8	11034	PARKING STAND PIN, 1/2" X 5"
9	9979	HAIR PIN CLIP
10	11033	PARKING STAND, 2" X 2" X 3 1/2"
11	11029	TOP PLATE, 5/8" X 8" X 10"
12	11030	Left Hand Shank Mounting Angle, 5/8" X 4" X 4" X 1 1/2"
13	11031	Right Hand Shank Mounting Angle, 5/8" X 4" X 4" X 1 1/2"
14	VP24	SHANK, 24" X 1 1/2"
15	VP28	SHANK, 28" X 1 1/2"
15A	MT13454	POINT, HEAT TREATED
15A	VP35M	POINT, HARD SURFACED, REVERSIBLE *See note below
16	VP25	ROLL PIN, 7/16" X 2"
17	11159	TOOL BAR, 49"
	11553	TOOL BAR, 60"
	11551	TOOL BAR, 80"
18	VP252	LYNCH PIN
19	T-21	LOCK WASHER, 7/8"
20	T-19	HEX NUT, 7/8"

TWO SHANK SUB-SOLLER



ALL UNITS WITH A SERIAL # GREATER THAN # 21270 WILL USE PART NUMBER MT13454. PART NUMBER VP35M WILL FIT ALL SHANKS PRIOR TO THIS DATE.

REF. NO.	PART #	DESCRIPTION
1	1163	TOOL BAR & HITCH
2	11032	FRONT SHANK MOUNTING BOLT, 3/8" X 8", GR. 5
3	T-24	LOCK WASHER, 5/8"
4	T-22	HEX NUT, 5/8"
5	12870	SHEAR BOLT, 3/4" X 4", GR. 2
6	T-771	PIVOT BOLT, 7/8" X 4", GR. 5
7	10535	SPACER, 3/4" X 1 1/2"
8	T-31	LOCK WASHER, 3/4"
9	T-27	HEX NUT, 3/4"
10	11033	PARKING STAND, 2" SQ. X 31 3/4"
11	VP54	PARKING STAND, 2" SQ. X 36 1/4" FOR 32" SHANK MODELS
	VP24	SHANK, 24" X 1 1/2"
	VP28	SHANK, 28" X 1 1/2"
	VP32	SHANK, 32" X 1 1/2"
12	MT13454	POINT, 1 1/2"
12A	VP35M	V PLOW POINT MODIFIED
13	11164	REAR TOP MOUNTING PLATE, 5/8" X 2 1/2" X 5 1/2"
14	11029	FRONT TOP MOUNTING PLATE, 5/8" X 8" X 10"
15	11034	PARKING STAND PIN, 3/4" X 5"
16	10015	3/16" HAIR PIN COTTER
17	VP25	ROLL PIN, 7/16" X 2"
18	11165	LH SHANK MOUNTING ANGLE, 5/8" X 4" X 4" X 24"
19	11166	RI SHANK MOUNTING ANGLE, 5/8" X 4" X 4" X 24"
20	11167	HITCH PIN, CAT. II, 1 1/8" SP X 5"
21	T-753	REAR SHANK MOUNTING BOLT, 5/8" X 8", GR. 5

TRIPLE SHANK SUBSOILER

